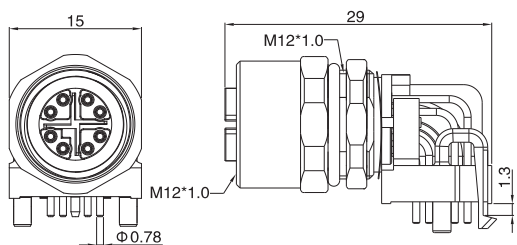


M12 母头, 面板式, PCB型, 后锁, 弯针, X-coding, 屏蔽
M12 Female Panel mount, PCB type, Rear fastened, Angled, X-coding



技术参数/Technical data

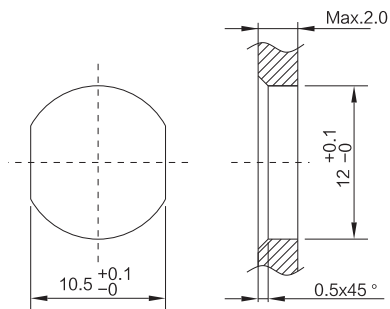
执行标准/Execution standard	IEC 61076-2-109
适用温度/Ambient temperature	-25°C ~ +90°C
胶芯材料/Connector insert	PA/TPU
端子材料/Connector contacts	黄铜镀金/Brass with gold plated
螺丝/螺母材料/Connector nut/screw	黄铜/不锈钢/Brass / Stainless steel
密封材料/密封圈/Seal/O-ring	氟橡胶(FKM)
绝缘阻抗/Insulation resistance	≥100MΩ
接触阻抗/Contact resistance	≤10mΩ
是否屏蔽/Shielding or not	是/Available
插拔次数/Mating endurance	>500次/Cycles
防护等级/IP rating	IP68 (锁紧状态/in locked condition)
钻孔尺寸/Panel cut-out	参照P225
PCB孔位分布图/PCB layout	参照P224



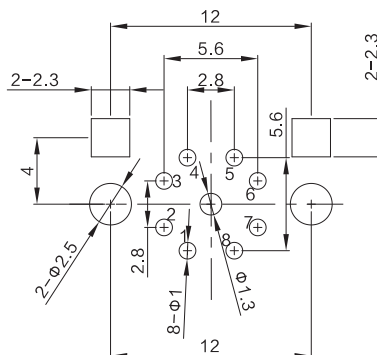
订货信息/Ordering information

芯数/Contacts	端子类型 Contacts termination	额定电流 Rated current	额定电压/Voltage		母头型号/Female model
			交流(A/C)	直流(D/C)	
	PCB型 PCB version	0.5A	50V	60V	M12FRXSP08C-H1

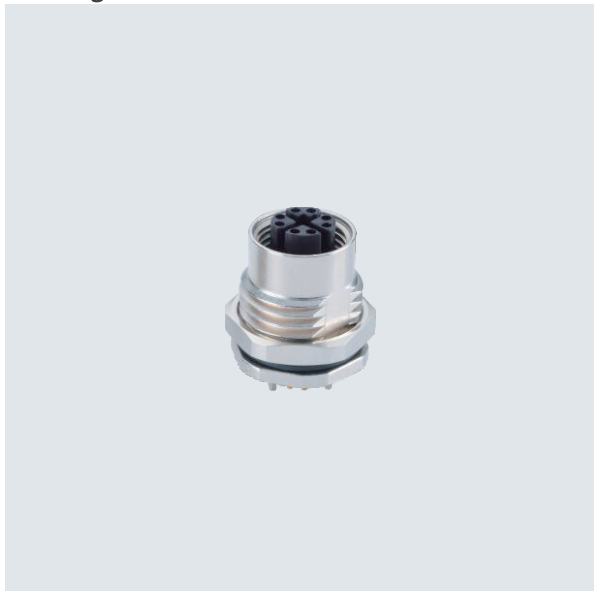
■ 钻孔尺寸



■ PCB孔位分布图

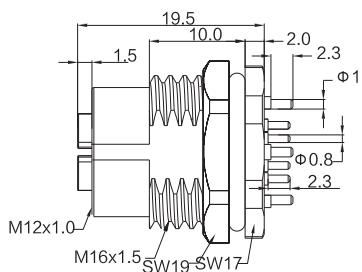


M12 母头, 面板式, PCB型, 前锁, X-coding, 屏蔽
M12 Female Panel mount, PCB type, Front fastened, X-coding, Shielded



技术参数/Technical data

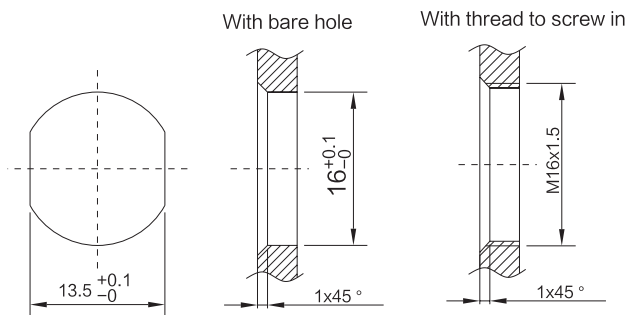
执行标准/Execution standard	IEC 61076-2-109
适用温度/Ambient temperature	-25°C ~ +90°C
胶芯材料/Connector insert	PA
端子材料/Connector contacts	黄铜镀金/Brass with gold plated
螺丝/螺母材料/Connector nut/screw	黄铜/锌合金镀镍/ Brass/Zinc alloy with nickel plated
密封材料/密封圈/Seal/O-ring	氟橡胶(FKM)
绝缘阻抗/Insulation resistance	≥100MΩ
接触阻抗/Contact resistance	≤10mΩ
是否屏蔽/Shielding or not	是/Available
插拔次数/Mating endurance	>500次/Cycles
防护等级/IP rating	IP68 (锁紧状态/in locked condition)



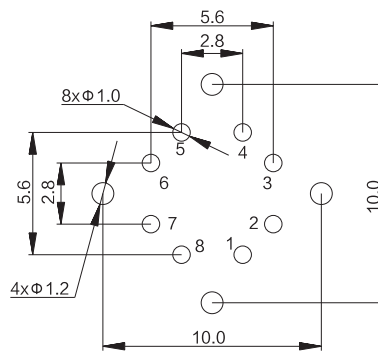
订货信息/Ordering information

芯数/Contacts	端子类型 Contacts termination	额定电流 Rated current	额定电压/Voltage		母头型号/Female model
			交流(A/C)	直流(D/C)	
	PCB型 PCB version	0.5A	50V	60V	M12FAXSP08C-Q3

■ 钻孔尺寸



■ PCB孔位分布图

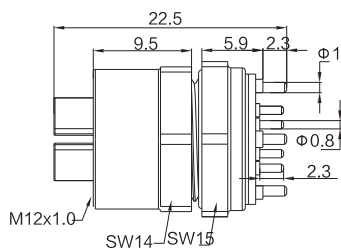


M12 母头, 面板式, PCB型, 后锁, X-coding, 屏蔽
M12 Female Panel mount, PCB type, Rear fastened, X-coding, Shielded



技术参数/Technical data

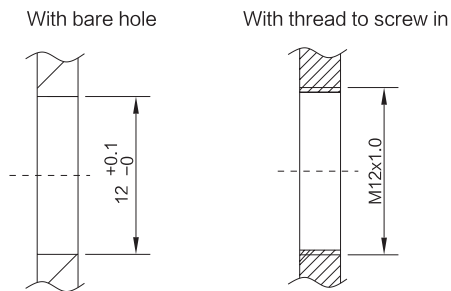
执行标准/Execution standard	IEC 61076-2-109
适用温度/Ambient temperature	-25°C ~ +90°C
胶芯材料/Connector insert	PA
端子材料/Connector contacts	黄铜镀金/Brass with gold plated
螺丝/螺母材料/Connector nut/screw	黄铜/锌合金镀镍/ Brass/Zinc alloy with nickel plated
密封材料/密封圈/Seal/O-ring	氟橡胶(FKM)
绝缘阻抗/Insulation resistance	≥100MΩ
接触阻抗/Contact resistance	≤10mΩ
是否屏蔽/Shielding or not	是/Available
插拔次数/Mating endurance	>500次/Cycles
防护等级/IP rating	IP68 (锁紧状态/in locked condition)



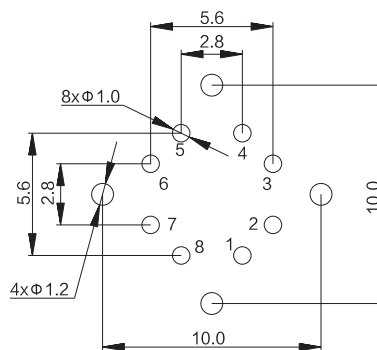
订货信息/Ordering information

芯数/Contacts	端子类型 Contacts termination	额定电流 Rated current	额定电压/Voltage		母头型号/Female model
			交流(A/C)	直流(D/C)	
	PCB型 PCB version	0.5A	50V	60V	M12FAXSP08C-H3

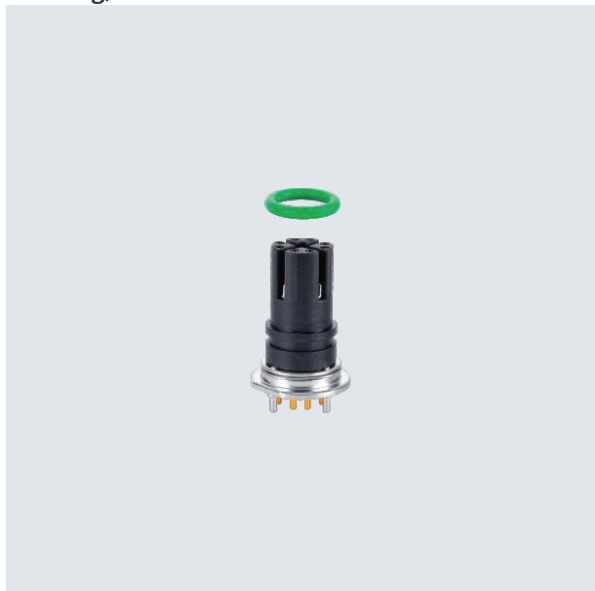
■ 钻孔尺寸



■ PCB孔位分布图

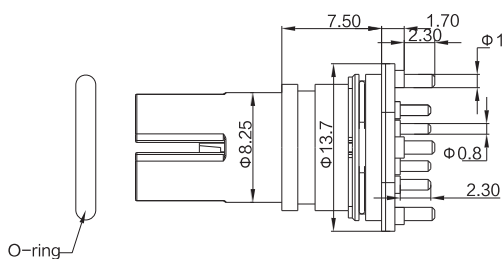


M12 母头, 面板式, PCB型, 无螺丝, X-coding, 屏蔽, 嵌入式
M12 Female Panel mount, PCB type, Without screw, X-coding, Shielded



技术参数/Technical data

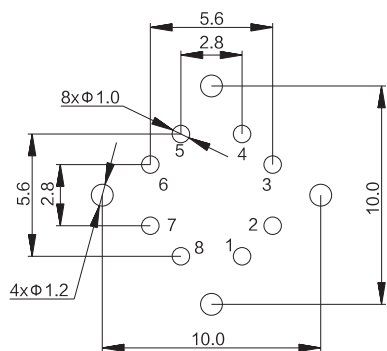
执行标准/Execution standard	IEC 61076-2-109
适用温度/Ambient temperature	-25°C ~ +90°C
胶芯材料/Connector insert	PA
端子材料/Connector contacts	黄铜镀金/Brass with gold plated
螺丝/螺母材料/Connector nut/screw	黄铜/锌合金镀镍/ Brass/Zinc alloy with nickel plated
密封材料/密封圈/Seal/O-ring	氟橡胶(FKM)
绝缘阻抗/Insulation resistance	≥100MΩ
接触阻抗/Contact resistance	≤10mΩ
是否屏蔽/Shielding or not	是/Available
插拔次数/Mating endurance	>500次/Cycles
防护等级/IP rating	IP68 (锁紧状态/in locked condition)



订货信息/Ordering information

芯数/Contacts	端子类型 Contacts termination	额定电流 Rated current	额定电压/Voltage		母头型号/Female model
			交流(A/C)	直流(D/C)	
	PCB型 PCB version	0.5A	50V	60V	M12FAXSP08C-A1

■ PCB孔位分布图

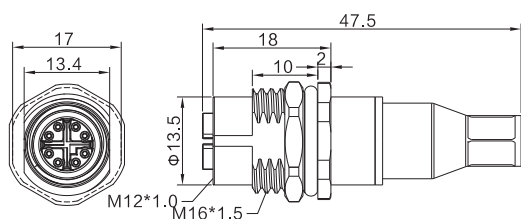


M12 母头, 面板式, 压接型, 前锁, X-coding, 屏蔽
M12 Female Panel mount, PCB type, Front fastened, X-coding, Shielded



技术参数/Technical data

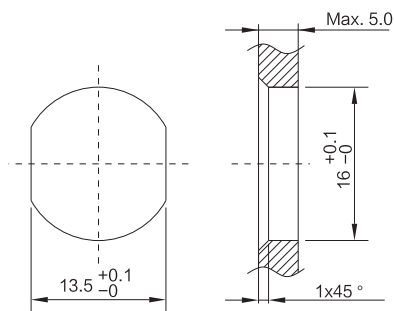
执行标准/Execution standard	IEC 61076-2-109
适用温度/Ambient temperature	-40°C ~ +80°C(静态温度/fixed installation); -20°C ~ +80°C(动态温度/flexible installation)
胶芯材料/Connector insert	TPU+GF
端子材料/Connector contacts	黄铜镀金/Brass with gold plated
外模材料/Connector overmold	TPU
螺丝/螺母材料/Connector nut/screw	黄铜镀镍/Brasswith nickel plated
密封材料/密封圈/Seal/O-ring	氟橡胶(FKM)
绝缘阻抗/Insulation resistance	≥100MΩ
接触阻抗/Contact resistance	≤10mΩ
是否屏蔽/Shielding or not	是/Available
插拔次数/Mating endurance	>500次/Cycles
防护等级/IP rating	IP68 (锁紧状态/in locked condition)



订货信息/Ordering information

芯数/Contacts	额定电流 Rated current	额定电压/Voltage		导体规格/Wire gauge		电缆规格 Cable spec	母头型号/Female model
		交流(A/C)	直流(D/C)	AWG	mm ²		
	0.5A	50V	50V	27~24	0.14~0.25	CAT6 _v /CAT7	M12FAXSY08C-Q3

■ 钻孔尺寸

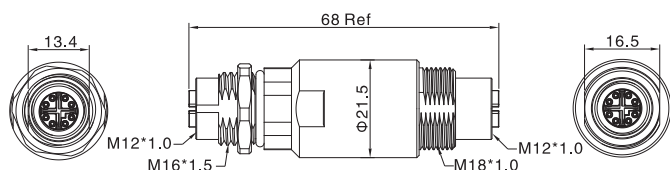


M12 母头, 面板式, X-coding, 屏蔽
M12 Female to Female Panel mount, X-coding, Shielded



技术参数/Technical data

执行标准/Execution standard	IEC 61076-2-101
适用温度/Ambient temperature	-25°C ~ +90°C
胶芯材料/Connector insert	PA/TPU
端子材料/Connector contacts	黄铜镀金/Brass with gold plated
螺丝/螺母材料/Connector nut/screw	黄铜镀镍/Brass with nickel plated
密封材料/密封圈/Seal/O-ring	氟橡胶(FKM)
绝缘阻抗/Insulation resistance	≥100MΩ
接触阻抗/Contact resistance	≤10mΩ
是否屏蔽/Shielding or not	是/Available
插拔次数/Mating endurance	>500次/Cycles
防护等级/IP rating	IP68 (锁紧状态/in locked condition)



订货信息/Ordering information

芯数/Contacts	额定电流 Rated current	额定电压/Voltage		型号/Model
		交流(A/C)	直流(D/C)	
	0.5A	50V	60V	MF08-01

