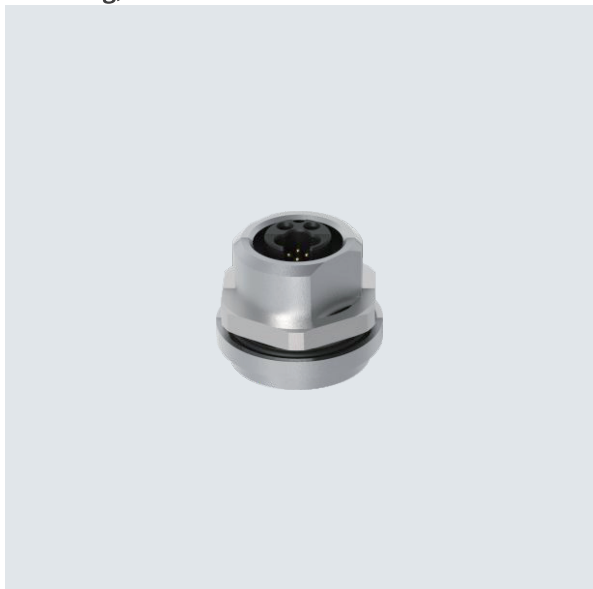
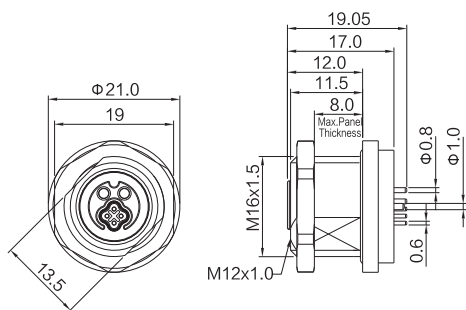


M12 母头, 面板式, PCB型, 前锁, Y1-coding, 屏蔽
M12 Female Panel mount, PCB type, Front fastened, Y1-coding, Shielded



技术参数/Technical data

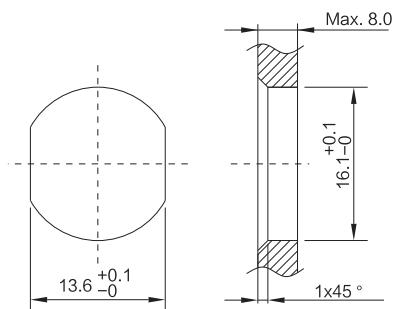
执行标准/Execution standard	IEC 61076-2-113
适用温度/Ambient temperature	-40°C ~ +80°C(静态温度/fixed installation); -20°C ~ +80°C(动态温度/flexible installation)
胶芯材料/Connector insert	PA+GF
端子材料/Connector contacts	黄铜镀金/Brass with gold plated
外模材料/Connector overmold	TPU
螺丝/螺母材料/Connector nut/screw	黄铜镀镍/Brass with nickel plated
密封材料/密封圈/Seal/O-ring	氟橡胶(FKM)
绝缘阻抗/Insulation resistance	≥100MΩ
接触阻抗/Contact resistance	≤10mΩ
是否屏蔽/Shielding or not	是/Available
插拔次数/Mating endurance	>500次/Cycles
防护等级/IP rating	IP67 (锁紧状态/in locked condition)



订货信息/Ordering information

芯数/Contacts	端子类型 Contacts termination	额定电流 Rated current	额定电压/Voltage		母头型号/Female model
			交流(A/C)	直流(D/C)	
	PCB型 PCB version	10A(电源Pin) 0.5A(信号Pin)	50V	50V	M12FA5SP06C-Q1

■ 钻孔尺寸

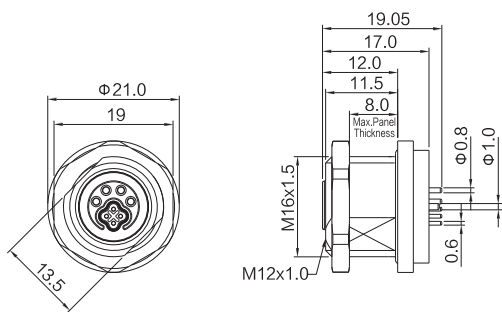


M12 母头, 面板式, PCB型, 前锁, Y2-coding, 屏蔽
M12 Female Panel mount, PCB type, Front fastened, Y2-coding, Shielded



技术参数/Technical data

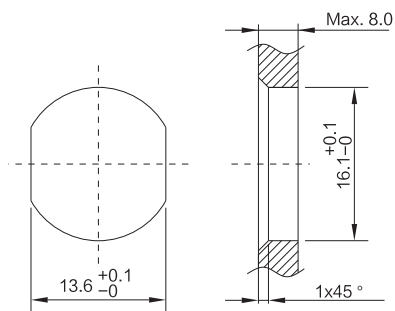
执行标准/Execution standard	IEC 61076-2-113
适用温度/Ambient temperature	-40°C ~ +80°C(静态温度/fixed installation); -20°C ~ +80°C(动态温度/flexible installation)
胶芯材料/Connector insert	PA+GF
端子材料/Connector contacts	黄铜镀金/Brass with gold plated
外模材料/Connector overmold	TPU
螺丝/螺母材料/Connector nut/screw	黄铜镀镍/Brasswith nickel plated
密封材料/密封圈/Seal/O-ring	氟橡胶(FKM)
绝缘阻抗/Insulation resistance	≥100MΩ
接触阻抗/Contact resistance	≤10mΩ
是否屏蔽/Shielding or not	是/Available
插拔次数/Mating endurance	>500次/Cycles
防护等级/IP rating	IP67 (锁紧状态/in locked condition)



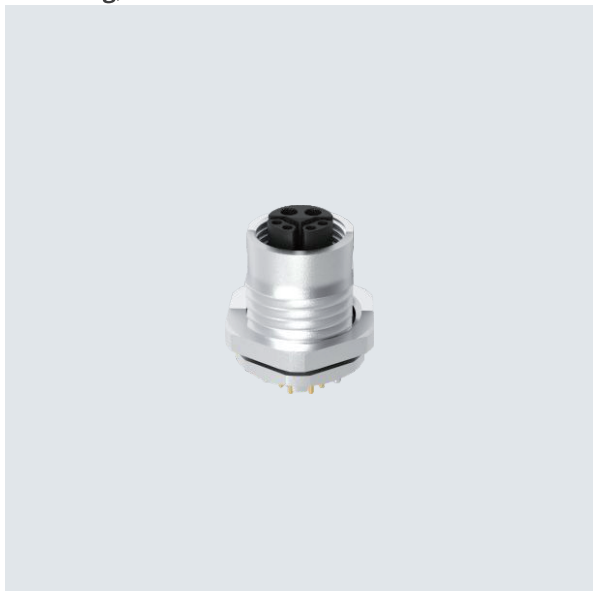
订货信息/Ordering information

芯数/Contacts	端子类型 Contacts termination	额定电流 Rated current	额定电压/Voltage		母头型号/Female model
			交流(A/C)	直流(D/C)	
	PCB型 PCB version	6A(电源Pin) 0.5A(信号Pin)	50V	50V	M12FAYSPO8C-Q1

■ 钻孔尺寸

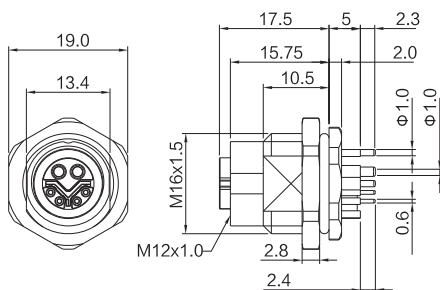


M12 母头, 面板式, PCB型, 前锁, Y3-coding, 屏蔽
M12 Female Panel mount, PCB type, Front fastened, Y3-coding, Shielded



技术参数/Technical data

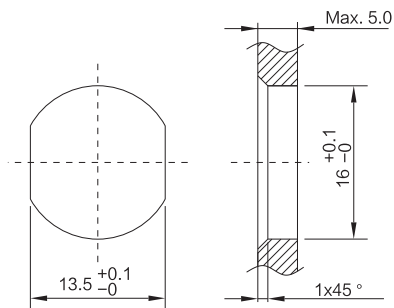
执行标准/Execution standard	IEC 61076-2-113
适用温度/Ambient temperature	-40°C ~ +80°C(静态温度/fixed installation); -20°C ~ +80°C(动态温度/flexible installation)
胶芯材料/Connector insert	TPU+GF
端子材料/Connector contacts	黄铜镀金/Brass with gold plated
外模材料/Connector overmold	TPU
螺丝/螺母材料/Connector nut/screw	黄铜镀镍/Brasswith nickel plated
密封材料/密封圈/Seal/O-ring	氟橡胶(FKM)
绝缘阻抗/Insulation resistance	≥100MΩ
接触阻抗/Contact resistance	≤10mΩ
是否屏蔽/Shielding or not	是/Available
插拔次数/Mating endurance	>500次/Cycles
防护等级/IP rating	IP67 (锁紧状态/in locked condition)



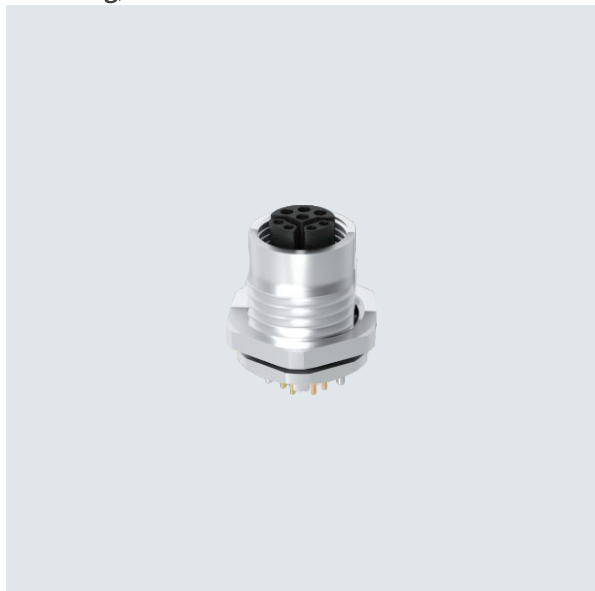
订货信息/Ordering information

芯数/Contacts	端子类型 Contacts termination	额定电流 Rated current	额定电压/Voltage		母头型号/Female model
			交流(A/C)	直流(D/C)	
	PCB型 PCB version	12A(电源Pin) 0.5A(信号Pin)	50V	50V	M12FA5SP06C-Q1

■ 钻孔尺寸

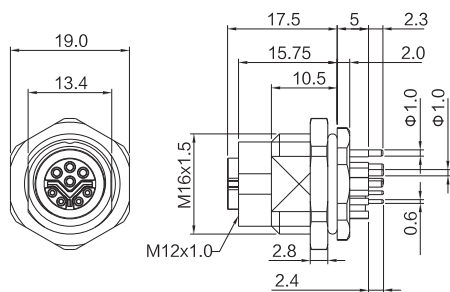


M12 母头, 面板式, PCB型, 前锁, Y4-coding, 屏蔽
M12 Female Panel mount, PCB type, Front fastened, Y4-coding, Shielded



技术参数/Technical data

执行标准/Execution standard	IEC 61076-2-113
适用温度/Ambient temperature	-40°C ~ +80°C(静态温度/fixed installation); -20°C ~ +80°C(动态温度/flexible installation)
胶芯材料/Connector insert	TPU+GF
端子材料/Connector contacts	黄铜镀金/Brass with gold plated
外模材料/Connector overmold	TPU
螺丝/螺母材料/Connector nut/screw	黄铜镀镍/Brasswith nickel plated
密封材料/密封圈/Seal/O-ring	氟橡胶(FKM)
绝缘阻抗/Insulation resistance	≥100MΩ
接触阻抗/Contact resistance	≤10mΩ
是否屏蔽/Shielding or not	是/Available
插拔次数/Mating endurance	>500次/Cycles
防护等级/IP rating	IP67 (锁紧状态/in locked condition)



订货信息/Ordering information

芯数/Contacts	端子类型 Contacts termination	额定电流 Rated current	额定电压/Voltage		母头型号/Female model
			交流(A/C)	直流(D/C)	
	PCB型 PCB version	6A(电源Pin) 0.5A(信号Pin)	50V	50V	M12FAY4SP08C-Q1

■ 钻孔尺寸

